

Camdollies®

For Trays and Sheet Pans

With Handle

Models CD1826H, CD1826HB

Features & Benefits



- Make any job easier by smoothly transporting stacks of 18" x 26" (46 x 66 cm) trays and/or sheet pans easily with these rugged and reliable Camdollies!
- Tray and Sheet Pan Capacity:
 - Model CD1826H - Approx. 80-90 trays/60-70 sheet pans
 - Model CD1826HB - Approx. 70-80 trays/60-70 sheet pans
- Load capacity for both models is 300 lbs. (136 Kg.).
- One-piece seamless, double-wall, high-density polyethylene construction is extremely durable.
- Rounded corners protect walls, equipment, and furniture from damage.
- Foamed-in-place polyurethane core adds greater structural strength and reduces noise.
- Easy to clean - can be wiped down or steam cleaned.
- Molded-in handle is sturdy and provides controlled handling and maneuvering. Won't bend or break.
- Heavy-duty casters are bolted into molded-in steel plates. Provides quiet service and greater durability when fully loaded.
 - Model CD1826H - Four each 5" (12,7 cm) casters, 2 fixed, 2 swivel, 1 w/ brake
 - Model CD1826HB - Two each rear 10" (25,4 cm) Easy Wheels and 2 each 5" (12,7 cm) swivel casters, 1 w/ brake
- No assembly required.
- Available in 5 colors.

Item No. _____

Specifier Identification No. _____

Model No. _____

Quantity _____



For Trays & Sheet Pans
(Camtray Product #1826, sheet pans not available by Cambro)

CD1826H



CD1826HB

10" (25,4 cm)
Easy Wheels

Approvals



For Trays and Sheet Pans

With Handle

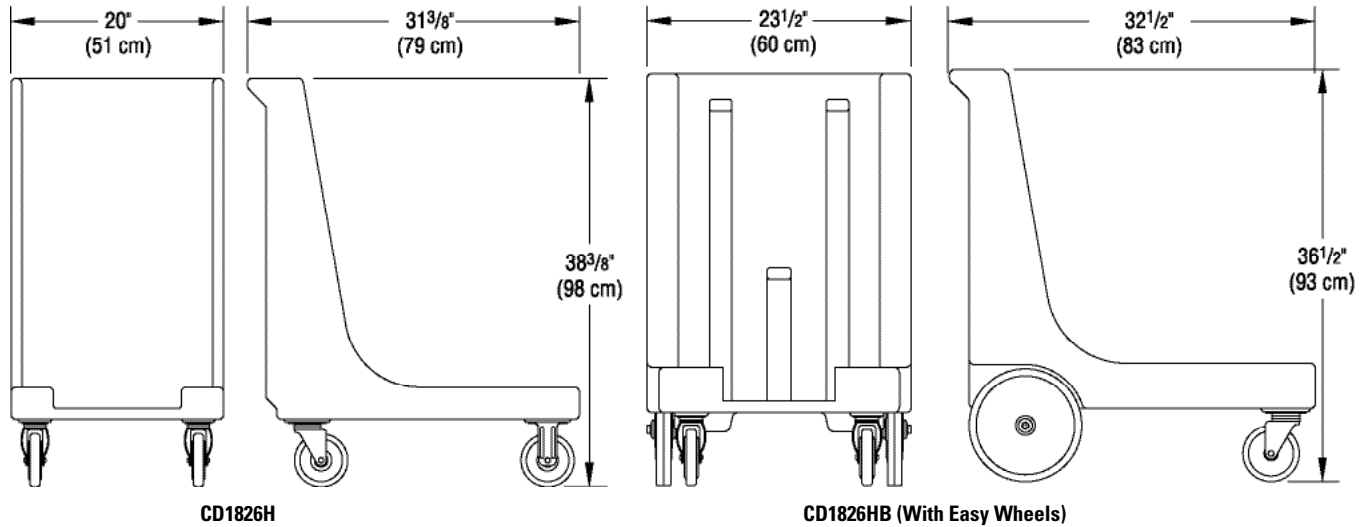
Models CD1826H, CD1826HB

Item No. _____

Specifier Identification No. _____

Model No. _____

Quantity _____



Specifications

Dimension Tolerance: +/- 1/4" (0,64 cm)

Code	Description	Load Capacity	Interior Dimensions W x L	Exterior Dimensions L x W x H	Case lbs./cube Kg./m ³
CD1826H	Camdolly	300 lbs. (136 Kg.)	18 1/4" x 26" (46 x 66 cm)	31 3/8" x 20" x 38 3/8" (79 x 51 x 98 cm)	33.25 (12.82) 15 (0,36)
CD1826HB	Camdolly	300 lbs. (136 Kg.)	18 3/8" x 26" (47 x 66 cm)	32 1/2" x 23 1/2" x 36 1/2" (83 x 60 x 93 cm)	47 (18.29) 22 (0,52)

Architect Specs

The tray and sheet pan transport cart shall be a Camdolly, Cambro Model CD1826H or CD1826HB manufactured by Cambro Mfg. Co., Huntington Beach, CA 92648 U.S.A. It shall be constructed of single-molded, seamless, double-wall, high-density polyethylene and thick foam injected polyurethane. It shall have a load capacity of 300 lbs. (136 Kg.). It shall have rounded corners. It shall have a molded-in handle. It shall be available with 4 each 5" (12,7 cm) swivel casters, no brake, or it shall be available with 2 each 10" (25,4 cm) Easy Wheels and 2 each 5" (12,7 cm) swivel casters, 1 w/ brake. Caster shall be bolted into molded-in metal plates. It shall not require any assembly and shall be available in 5 colors.

Standard Colors

- Coffee Beige (157)
- Dark Brown (131)
- Black (110)
- Slate Blue (401)
- Gray (180)

Approvals

